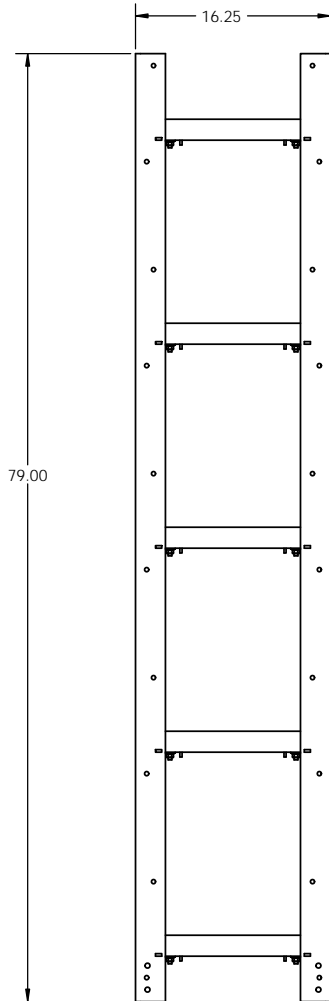
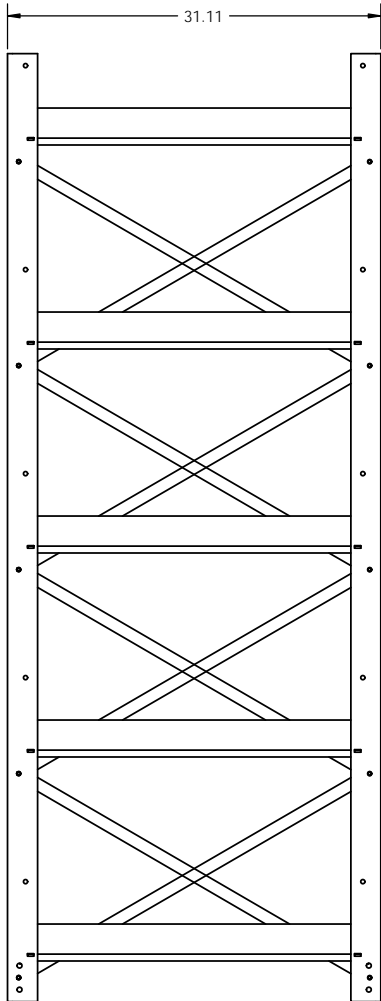
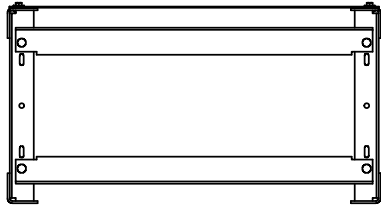
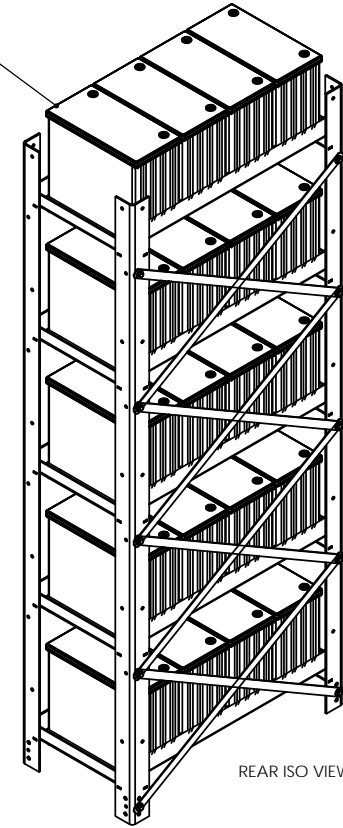


NOTES:

1. MATERIAL: HEAVY GAUGE WELDED STEEL
2. FINISH: POWDER COAT ASA 61 GRAY
3. APPROXIMATE UNPACKAGED RACK WEIGHT: 186 LBS.
4. FRAME CONSTRUCTION, BATTERY SUPPORT RAIL DESIGN, AND SEISMIC BRACKET OPTIONS ARE SEISMIC CERTIFIED TO UBC (UNIFORM BUILDING CODE) SECTION 1632.



BATTERIES SHOWN FOR REFERENCE ONLY. SOLD SEPARATELY



REAR ISO VIEW

MAX BATTERY CAPACITY	
BATTERY TYPE	QTY
100 wpc	25
250 wpc - 800 wpc	20

PROPRIETARY AND CONFIDENTIAL
THE INFORMATION CONTAINED IN THIS DRAWING IS THE SOLE PROPERTY OF ELECTRONIC SYSTEMS SUPPORT. ANY REPRODUCTION IN PART OR AS A WHOLE WITHOUT THE WRITTEN PERMISSION OF ELECTRONIC SYSTEMS SUPPORT IS PROHIBITED.

UNLESS OTHERWISE SPECIFIED:		DIMENSIONS ARE IN INCHES		TOLERANCES:		ELECTRONIC SYSTEMS SUPPORT 888-475-9292 www.ess.to		3233 W. Kingsley Rd. Ste. 200 Garland, Texas 75041 PH. 972-272-2468 FAX 972-276-9844	
ANGULAR: MACH ± 5 BEND ±1		TWO PLACE DECIMAL		± 0.01		THREE PLACE DECIMAL		± 0.05	
PROJECT:	⊙	DRAWN:	RNA	NAME:	DATE:	TITLE: BATTERY RACK, VRLA, 5 TIER/4 WIDE, NON-SEISMIC			
MATERIAL:	SEE NOTE 1	CHECKED:		ENG APPR:		SIZE:	DWG. NO.	REV	
FRESH:	SEE NOTE 2	MFG APPR:		G.A.:		C	R5T4-SPEC	B	
USED ON:	DO NOT SCALE DRAWING	SCALE: 1:8		WEIGHT:		SHEET 1 OF 1			