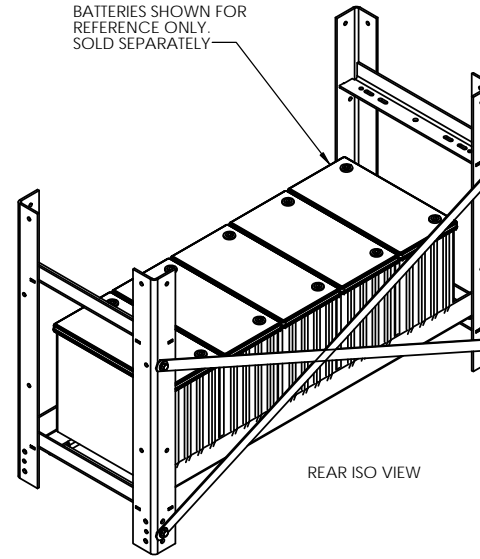
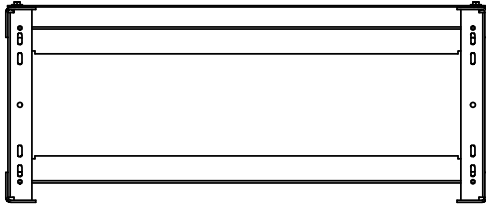
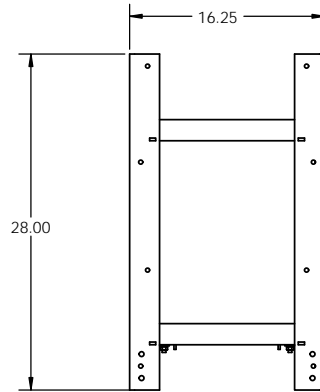
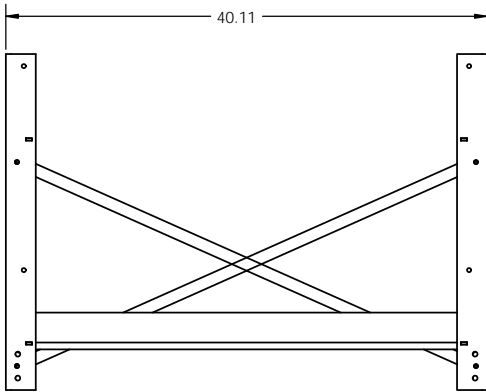


NOTES:

1. MATERIAL: HEAVY GAUGE WELDED STEEL
2. FINISH: POWDER COAT ASA 61 GRAY
3. APPROXIMATE UNPACKAGED RACK WEIGHT: 60 LBS.
4. FRAME CONSTRUCTION, BATTERY SUPPORT RAIL DESIGN, AND SEISMIC BRACKET OPTIONS ARE SEISMIC CERTIFIED TO UBC (UNIFORM BUILDING CODE) SECTION 1632.



REAR ISO VIEW



MAX BATTERY CAPACITY	
BATTERY TYPE	QTY
100 wpc	5
250 wpc - 800 wpc	4

PROPRIETARY AND CONFIDENTIAL
 THE INFORMATION CONTAINED IN THIS DRAWING IS THE SOLE PROPERTY OF ELECTRONIC SYSTEMS SUPPORT. ANY REPRODUCTION IN PART OR AS A WHOLE WITHOUT THE WRITTEN PERMISSION OF ELECTRONIC SYSTEMS SUPPORT IS PROHIBITED.

UNLESS OTHERWISE SPECIFIED:		ELECTRONIC SYSTEMS SUPPORT 888-475-9292 www.ess.to		3233 W. Kingsley Rd. Ste. 200 Garland, Texas 75041 PH. 972-272-2468 FAX 972-276-9844	
DIMENSIONS ARE IN INCHES TOLERANCES:		DRAWN	NAME	DATE	TITLE
ANGULAR: MACH ± 5 BEND ±1		CHECKED	RNA	07-24-09	BATTERY RACK, VRLA, 1 TIER/5 WIDE, NON-SEISMIC
TWO PLACE DECIMAL ± .02		ENG APPR			
THREE PLACE DECIMAL ± .01		MFG APPR			SIZE
PROJECTION	SEE NOTE 1	G.A.			DWG. NO.
MATERIAL	SEE NOTE 2				R1T5-SPEC
FINISH					REV
DO NOT SCALE DRAWING					B
USED ON					SCALE: 1:8
					WEIGHT:
					SHEET 1 OF 1