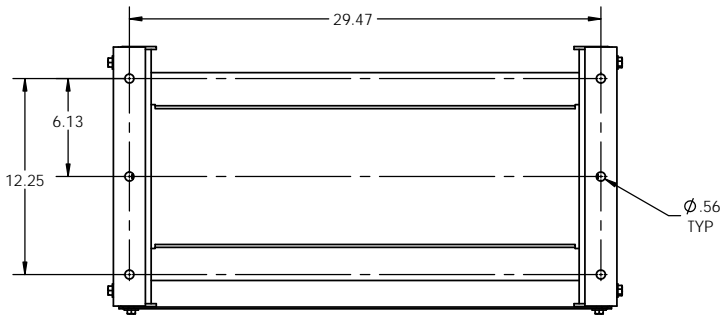
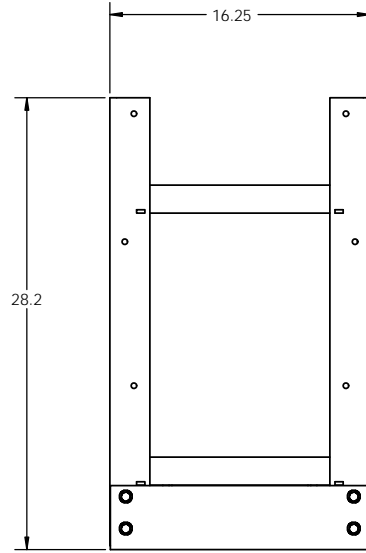
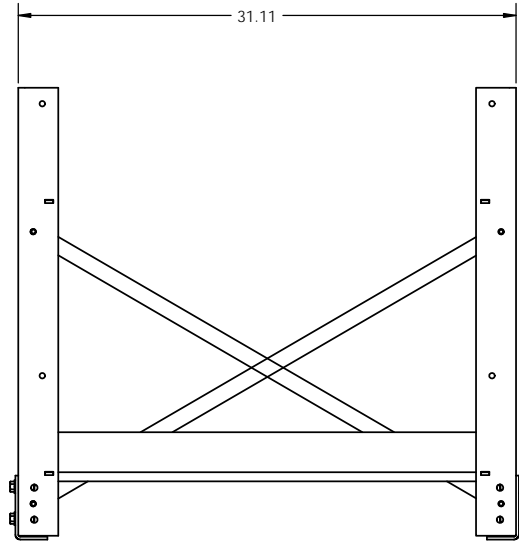


NOTES:

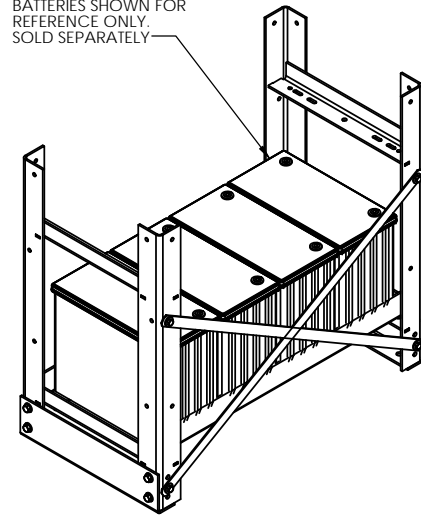
1. MATERIAL: HEAVY GAUGE WELDED STEEL
2. FINISH: POWDER COAT ASA 61 GRAY
3. APPROXIMATE UNPACKAGED RACK WEIGHT: 65 LBS.
4. FRAME CONSTRUCTION, BATTERY SUPPORT RAIL DESIGN, AND SEISMIC BRACKET OPTIONS ARE SEISMIC CERTIFIED TO UBC (UNIFORM BUILDING CODE) SECTION 1632.



BOTTOM VIEW
OPTIONAL SEISMIC MOUNTING FOOTPRINT

MAX BATTERY CAPACITY	
BATTERY TYPE	QTY
100 wpc	5
250 wpc - 800 wpc	4

BATTERIES SHOWN FOR REFERENCE ONLY. SOLD SEPARATELY



REAR ISO VIEW

PROPRIETARY AND CONFIDENTIAL
THE INFORMATION CONTAINED IN THIS DRAWING IS THE SOLE PROPERTY OF ELECTRONIC SYSTEMS SUPPORT. ANY REPRODUCTION IN PART OR AS A WHOLE WITHOUT THE WRITTEN PERMISSION OF ELECTRONIC SYSTEMS SUPPORT IS PROHIBITED.

UNLESS OTHERWISE SPECIFIED:		ELECTRONIC SYSTEM SUPPORT 888-475-9292 www.ess.to		3233 W. Kingsley Rd. Ste. 200 Garland, Texas 75041 PH. 972-272-2468 FAX 972-276-9844	
DIMENSIONS ARE IN INCHES		DRAWN	NAME	DATE	TITLE
TOLERANCES:		CHECKED	RNA	07-20-09	BATTERY RACK, VRLA, 1 TIER/4 WIDE, SEISMIC Z4
ANGULAR: MACH ± 5 BEND ±1		ENG APPR			SIZE
TWO PLACE DECIMAL ± .02		MFG APPR			DWG. NO.
THREE PLACE DECIMAL ± .01		Q.A.			REV
PROJECTION				SCALE: 1:8	WEIGHT:
MATERIAL	SEE NOTE 1				SHEET 1 OF 1
FINISH	SEE NOTE 2				
USED ON	DO NOT SCALE DRAWING				