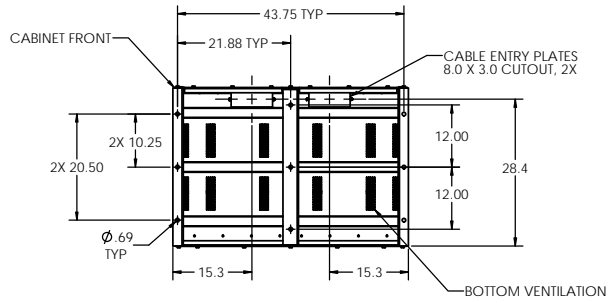
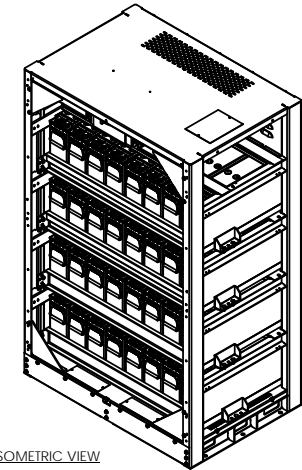


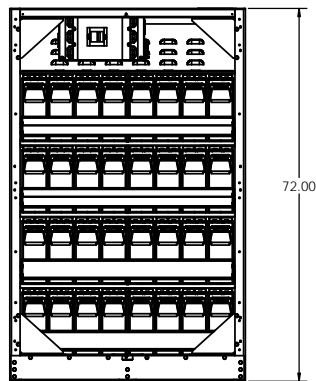
TOP VIEW



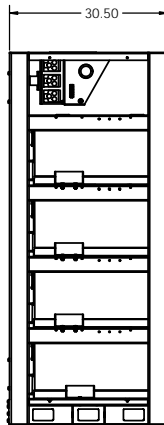
SECTION A-A
BOTTOM VIEW



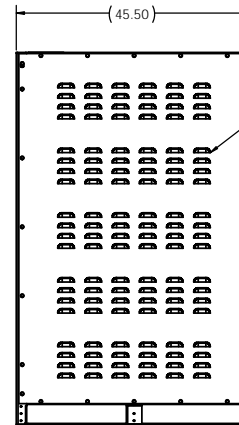
ISOMETRIC VIEW



FRONT VIEW



SIDE VIEW



REAR VIEW

VENTILATION
LOUVERS

RACK NOTES:

1. EMPTY RACK WEIGHT: 600 LBS.
2. FULLY WELDED FRAME - MANUFACTURED FROM HEAVY GAUGE STEEL.
3. POWDER COATED WITH A CORROSION RESISTANT POWDER USING A FIVE STAGE EMERSION PRETREATMENT PROCESS.
4. BATTERIES CAN BE ACCESSED FROM FRONT, REAR, AND BOTH SIDES.
5. CUSTOM DESIGNED PALLETS FOR SHIPPING ANYWHERE LOCALLY AND GLOBALLY (UPON REQUEST).
6. BATTERY RACK CAN BE MOVED WITH A NORMAL PALLET JACK FROM FRONT AND REAR.
7. STANDARD AND CUSTOM SPILL CONTAINMENT OPTIONS ARE AVAILABLE.

UNLESS OTHERWISE SPECIFIED:		ELECTRONIC SYSTEM SUPPORT		3231 W. Kingsley Rd. Ste. 200 Cedarland, Texas 75041 PH: 972-272-2468 FAX: 972-276-2644	
ALL DIMENSIONS ARE IN INCHES UNLESS OTHERWISE SPECIFIED.	ANGLES: MATCH D, BEND	DATE:	12-13	TITLE: BATTERY RACK, 12V, FT, 384V, 4 TIER, TOP BRKR.	
THIRD PLACE DECIMAL: #00	FOURTH PLACE DECIMAL: #000	DRAWN:		SIZE:	D
PROJECTION:	SEE NOTE 1	CHECKED:		DWG. NO.:	EFR4-SPEC
SCALE:	SEE NOTE 2	DATE:		REV:	A
DO NOT SCALE DRAWING.		SCALE:	1:12	WEIGHT:	
USED ON:		SHEET:	1	OF 2	

PROPRIETARY AND CONFIDENTIAL
SEE INFORMATION CONTAINED IN THIS DRAWING FOR THE DATE OF PREPARE AND FOR THE LATEST REVISIONS.
ELECTRONIC SYSTEM SUPPORT, A DIVISION OF ELECTRONIC SYSTEMS SUPPORT IS NOT RESPONSIBLE FOR ANY ERRORS OR OMISSIONS.
ELECTRONIC SYSTEMS SUPPORT IS NOT RESPONSIBLE FOR ANY ERRORS OR OMISSIONS.

